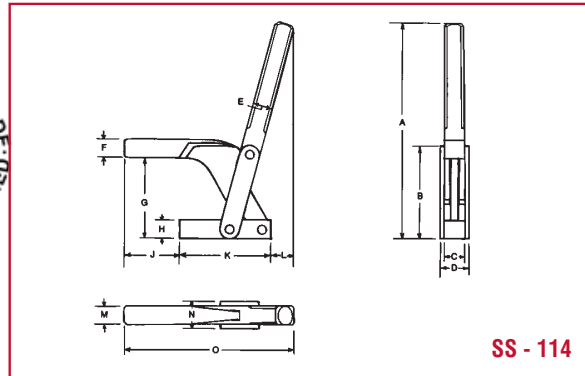
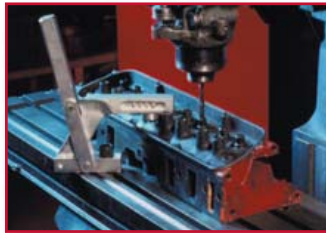


DAWN ANGULAR SOLID HANDLE, HORIZONTAL SOLID BAR, HOLDING DOWN ACTION TOGGLE CLAMPS

This clamp is suitable for most rugged production jobs and is designed for maximum opening to simplify jig loading. The holding bar is made from S.G. ductile iron which is unbreakable. The rounded steel handle provides comfort in use.

PART NO.	MODEL	HOLDING PRESSURE KG	SIZE (MM) AT													WT KG	DUTY	
			B	C	D	E	F	G	H	J	K	L	M	N	O			
61272	SS-114-15	320	150	64	12	19	12	12	55	12	37	62.5	16	12	19	116	0.5	HEAVY
61273	SS-114-25	675	191	100	19	28	19	19	75	19	61	87	16	19	28	116	1.1	HEAVY
61274	SS-114-35	945	269	136	25	30	25	25	112	25	90	112	19	25	35	219	2.8	E.HEAVY



SS - 114